

# PNEUMATIC ACTUATOR

## **SJ** SERIES

# ELECTRIC ACTUATOR VALVE

## **SM** SERIES



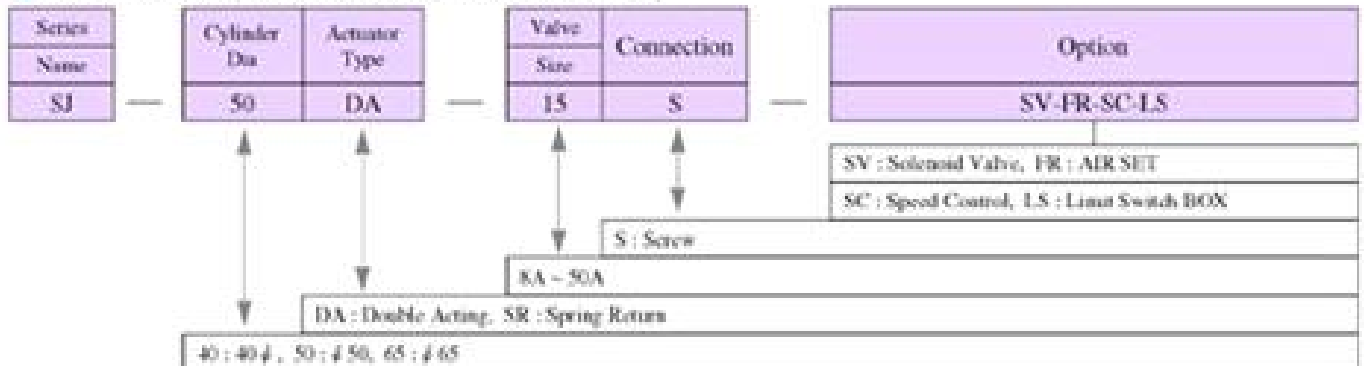
# CONTENTS



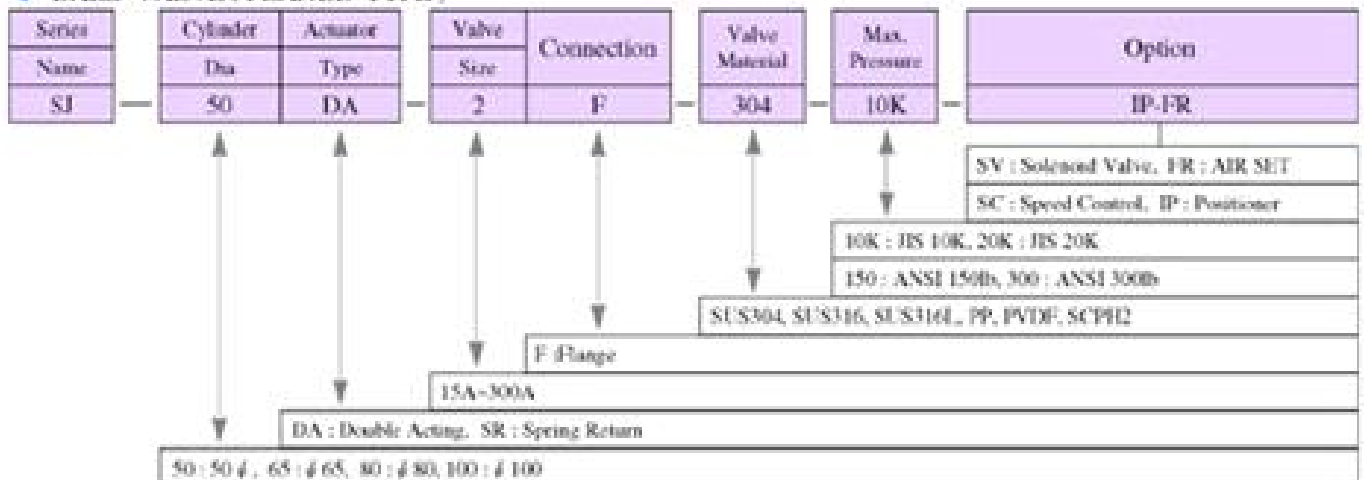
HOW TO ORDER	—————	PAGE 2
DOUBLE ACTING ACTUATOR	—————	PAGE 3
SPRING RETURN ACTUATOR	—————	PAGE 4
1PIECE BALL VALVE(SCREW TYPE)	—————	PAGE 5
3PIECE BALL VALVE(SCREW TYPE)	—————	PAGE 6
3WAY BALL VALVE(SCREW TYPE)	—————	PAGE 7
2-WAY FLANGE BALL VALVE(DOUBLE)	—————	PAGE 8
2-WAY FLANGE BALL VALVE(SINGLE)	—————	PAGE 9
3-WAY FLANGE BALL VALVE	—————	PAGE 10
CONTROL FLANGE BALL VALVE	—————	PAGE 11
FLANGE BALL VALVE (일반형)	—————	PAGE 12
FLANGE BALL VALVE (일용형)	—————	PAGE 13
BUTTERFLY VALVE	—————	PAGE 14
BUTTERFLY VALVE(High performance)	—————	PAGE 15
PLASTIC BALL VALVE(P.PC-PVC/PNDP)	—————	PAGE 16
<b>ELECTRIC ACTUATOR VALVE</b>	—————	<b>PAGE 17-22</b>

# HOW TO ORDER

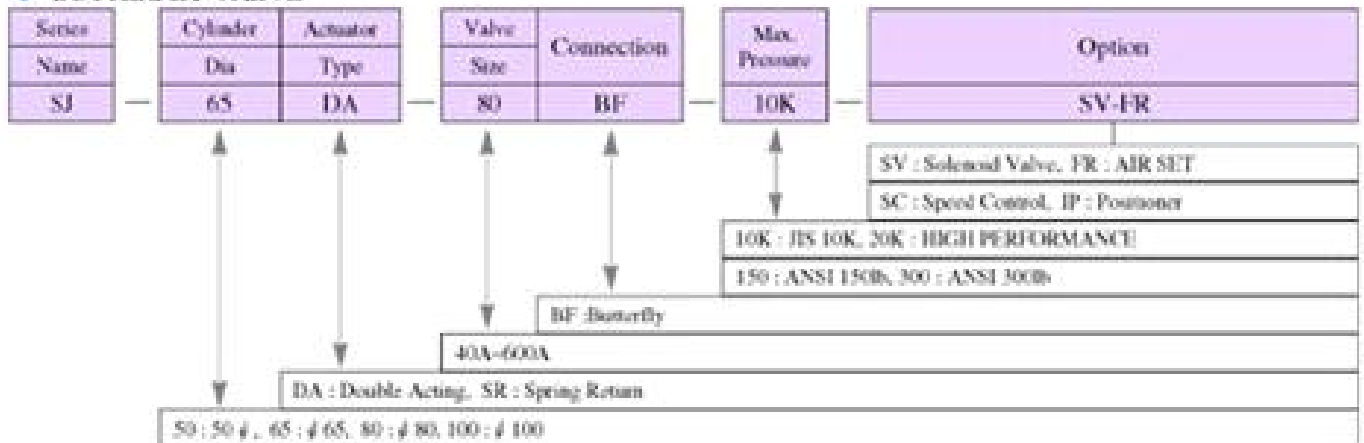
## ● BALL VALVE (1PIECE & 3PIECE SCREW TYPE)



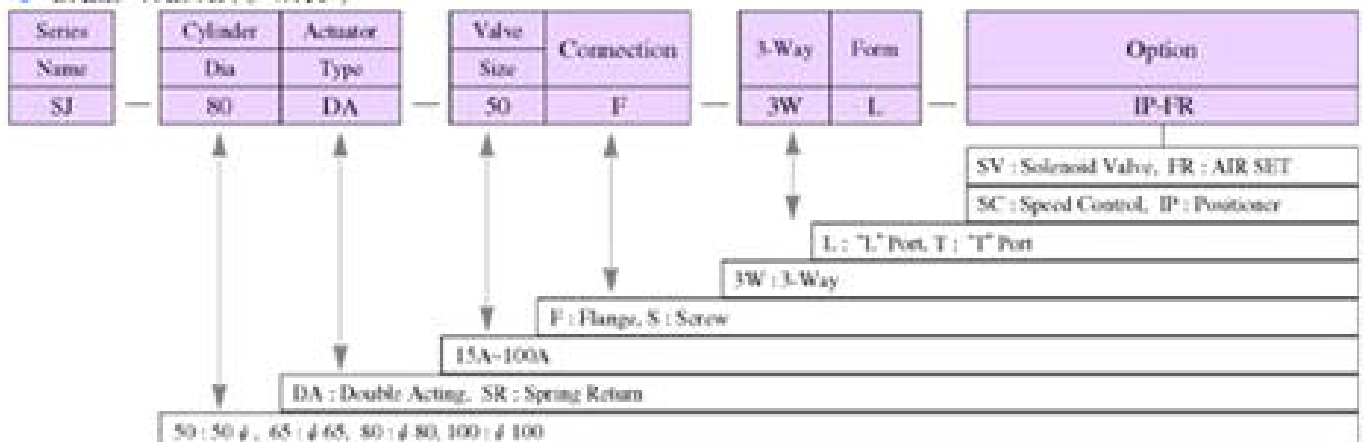
## ● BALL VALVE (FLANGE TYPE)



## ● BUTTERFLY VALVE



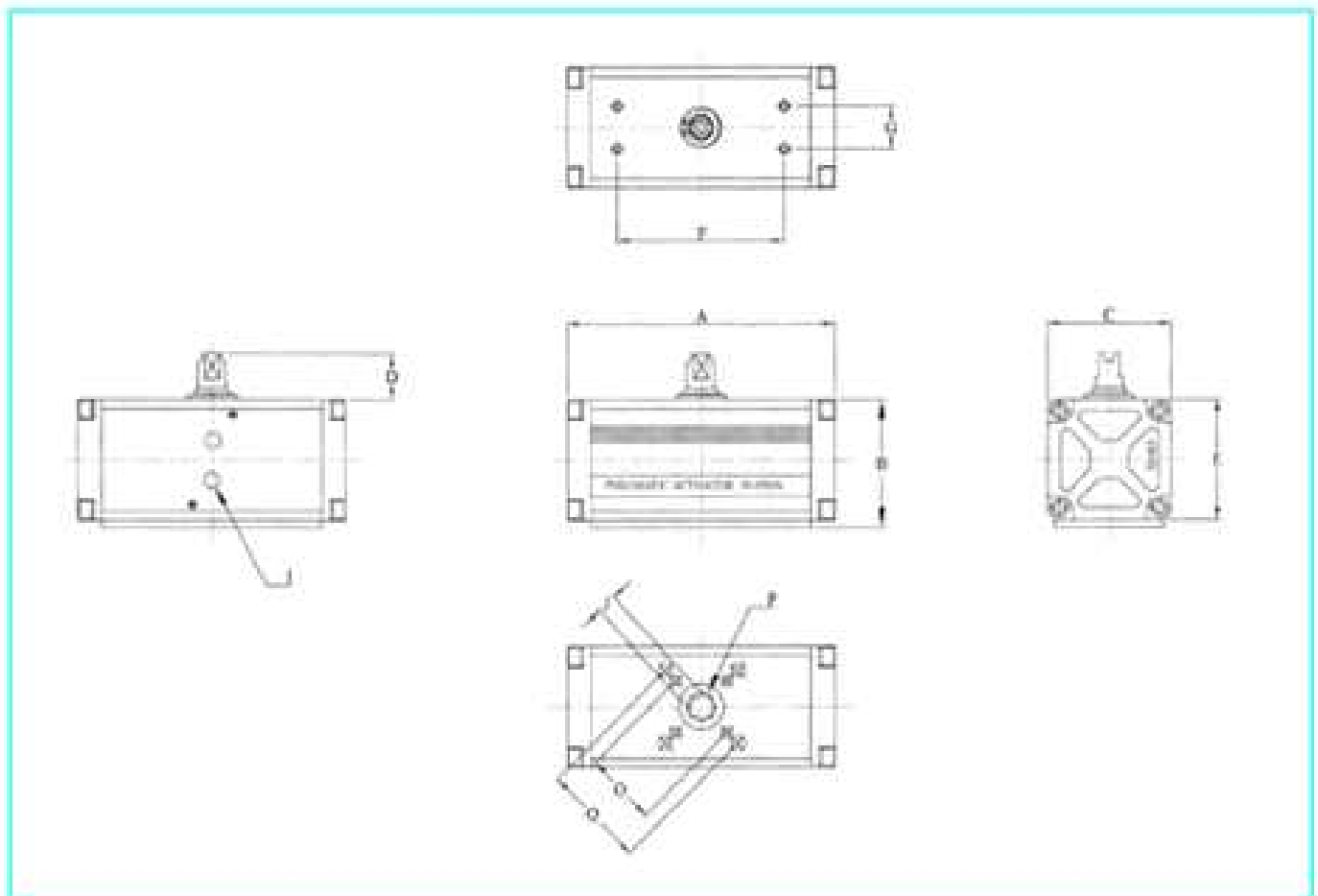
## ● BALL VALVE (3-WAY)



# DOUBLE ACTING ACTUATOR



項目 Item	內容 Description
操作有體 Operating Media	Compressed Dry Air
操作壓力 Operating Press	4-7kgf/cm <sup>2</sup>
操作角度 Rotating Angle	90 degree
Service Condition	Weather-proof
Option	Solenoid Valve
	Speed control
	Limit Switch
	Filter Regulator

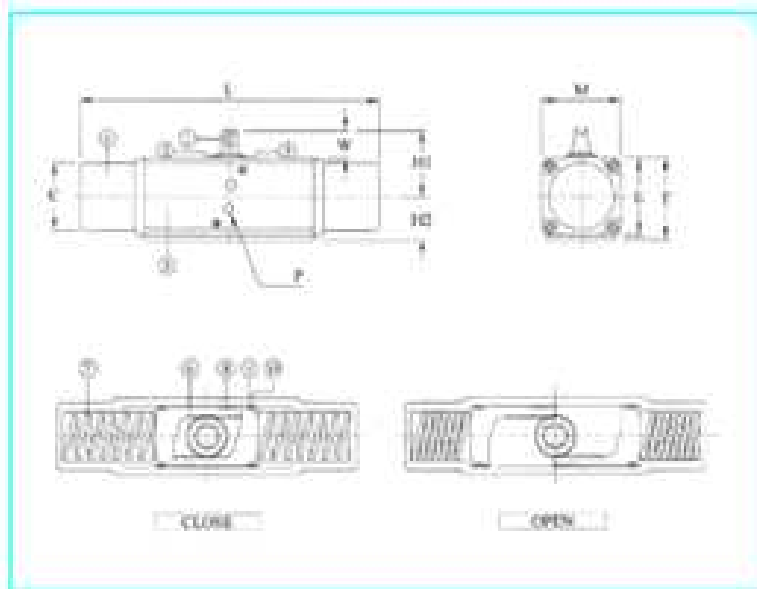


## DIMENSION

UNIT : mm

MODEL	A	B	C	D	E	F	G	O	Q	J	I	P <sub>mm</sub>	ISO
SJ-50DA	122	67	62	20	64	80	30	36	50	9/11	PT1/8	13	F04/05
SJ-65DA	166	86	80	20	82	80	30	50	70	11/14	PT1/8	16	F05/07
SJ-80DA	230	108	100	20.5	104	80	30		70	17	PT1/4	21	F07
SJ-100DA	290	129	120	22	120	80	30		125	22	PT1/4	27	F10

# SPRING RETURN ACTUATOR



Part List

NO	DESCRIPTION	MATERIALS
1	SHAFT	S45C
2	SNAP RING	SUS 304
3	WASHER	ACETAL
4	SPRING TUBE	AL ALLOY
5	HOUSING	A6063-T5
6	RACK PISTON	ADC-12
7	SPRING	STEEL ALLOY
8	WEAR BAND	M.T.F.E
9	O-RING	NBR
10	SLIDE BEARING	M.T.F.E

## DIMENSION

UNIT : mm

MODEL	L	C	W	H1	H2	M	E	T	P	ISO
SJ-50SR	220	55	20	52	35	62	64	67	PT1/8	F03/05
SJ-65SR	250	64	20	61	45	80	82	86	PT1/8	F03/07
SJ-80SR	390	90	20.5	72.5	56	100	104	108	PT1/4	F07
SJ-100SR	432	100	22	82.5	62	120	124	129	PT1/4	F10

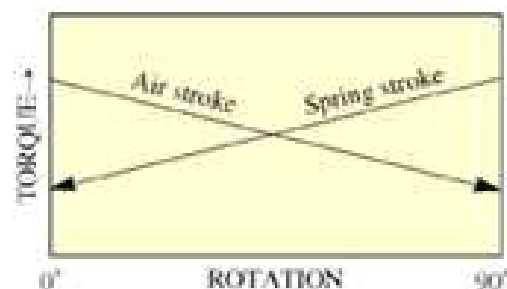
項目 Item	内容 Description
動作媒体 Operating Media	Compressed Dry Air
動作壓力 Operating Press	4-7bar/at
動作角度 Rotating Angle	90 degree
Service Condition	Weather-proof
Option	Select Valve
	Speed control
	Limit Switch
	Filter Regulator

## How to select Actuator

1. Decide valve torque and air supply(Recommended air supply 5 bar)
2. Select the one or higher one than end torque and valve torque of spring stroke.  
(20% safety rate recommended)
3. Single acting can be selected one-level higher than double acting.

## Technical Constituent

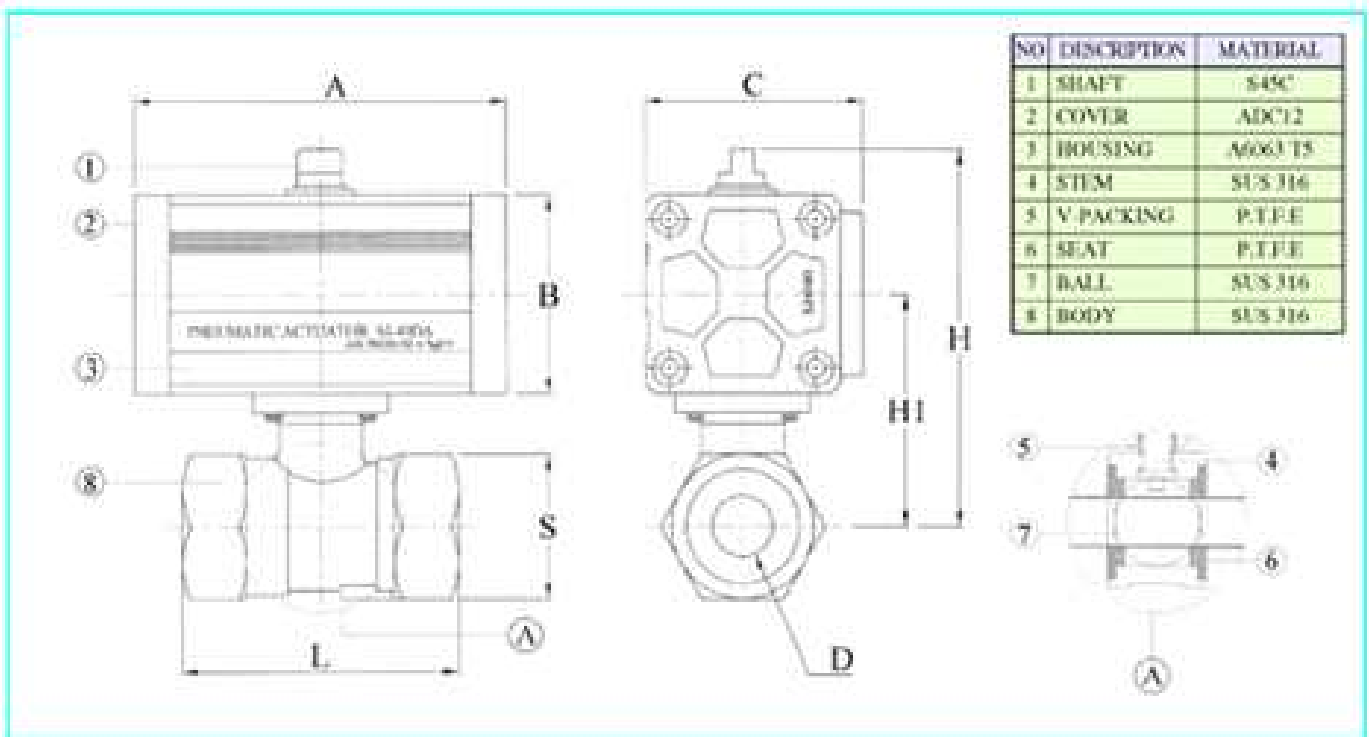
1. It can obtain big power from small motor and be used as EQ% according to the specification.
2. It is good efficiency when 90° air stroke is same to 0° spring stroke and in cined angle is smaller.
3. Air Pressure : MAX. 10bar
4. Temperature : -20°C-120°C
5. Applied working valve : Ball Valve, Eccentric Valve, Butterfly Valve, Plug Valve.



# SCREW TYPE 1 PIECE BALL VALVE (REDUCER BORE)



- ACTUATOR : DOUBLE ACTING
- BODY PRESS : MAX 10kgf/cm<sup>2</sup>
- TEMP : MAX 80°C (PTFE)
- AIR PRESSURE : 4~7kgf/cm<sup>2</sup>



## DIMENSION

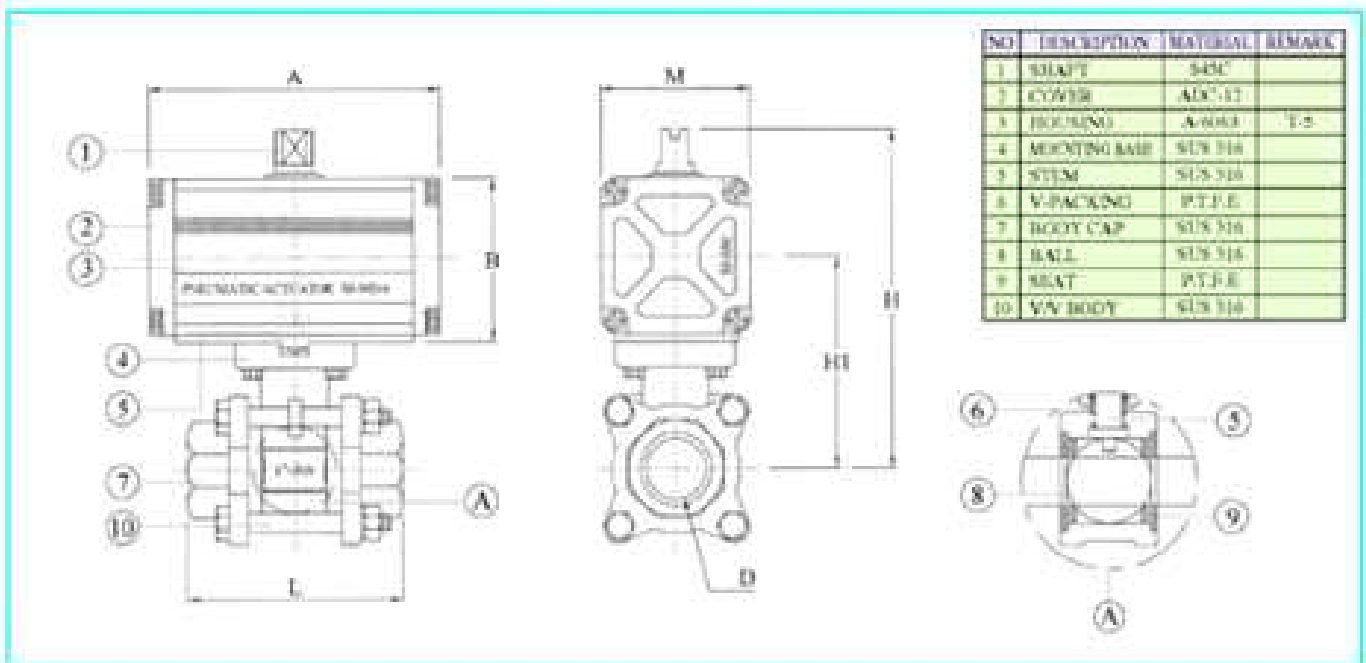
UNIT : mm

VALVE SIZE		ACTUATOR	A	B	C	D	L	S	H1	H
1/2"	15A	SJ-40DA	99	52	58	9.2	50	25	52.5	90.5
3/4"	20A	SJ-40DA	99	52	58	12.5	60	32	54.5	92.5
1"	25A	SJ-40DA	99	52	58	16	73.5	38	59	97
1 1/4"	32A	SJ-50DA	122	67	62	20	78	49	77.5	129.5
1 1/2"	40A	SJ-50DA	122	67	62	24.5	90	53	82.5	134.5
2"	50A	SJ-50DA	122	67	62	32	100	65	89	141

# SCREW TYPE 3 PIECE BALL VALVE (FULL BORE)



- ACTUATOR : DOUBLE ACTING
- BODY PRESS : 10kgf/cm<sup>2</sup>
- TEMP : MAX 100°C (P.T.F.E)  
MAX 180°C (CARBON TEFLON)
- AIR PRESSURE : 4-7kgf/cm<sup>2</sup>



## DIMENSION

UNIT : mm

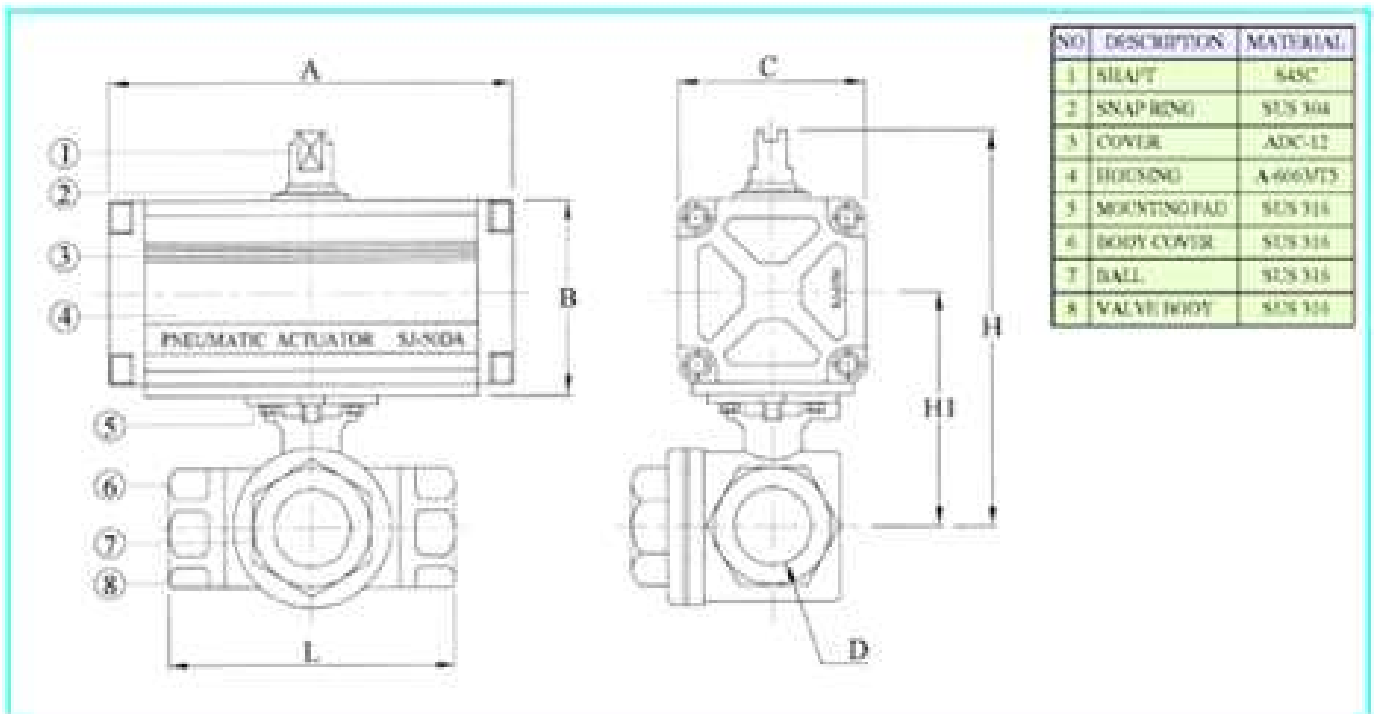
VALVE SIZE		ACTUATOR	A	B	M	D	L	H1	H
inch	mm								
3/8"	10A	SJ-50DA	122	67	62	10	60	71	122
1/2"	15A	SJ-50DA	122	67	62	15	74	74.5	126.5
3/4"	20A	SJ-50DA	122	67	62	20	80	76.5	128.5
1"	25A	SJ-50DA	122	67	62	25	90	87.5	139.5
1 1/4"	32A	SJ-65DA	166	86	80	32	110	106	167
1 1/2"	40A	SJ-65DA	166	86	80	40	123	113.5	174.5
2"	50A	SJ-65DA	166	86	80	50	139.5	123	180

# SCREW TYPE 3WAY BALL VALVE



## DIRECTION OF FLOW

PORT TYPE	1	2	3	4
L				
T				



NO	DESCRIPTION	MATERIAL
1	SHAFT	S45C
2	SNAP RING	SUS 304
3	COVER	AOC-12
4	HOUSING	A-606MTS
5	MOUNTING PAD	SUS 316
6	BODY COVER	SUS 316
7	BALL	SUS 316
8	VALVE BODY	SUS 316

## DIMENSION

UNIT : mm

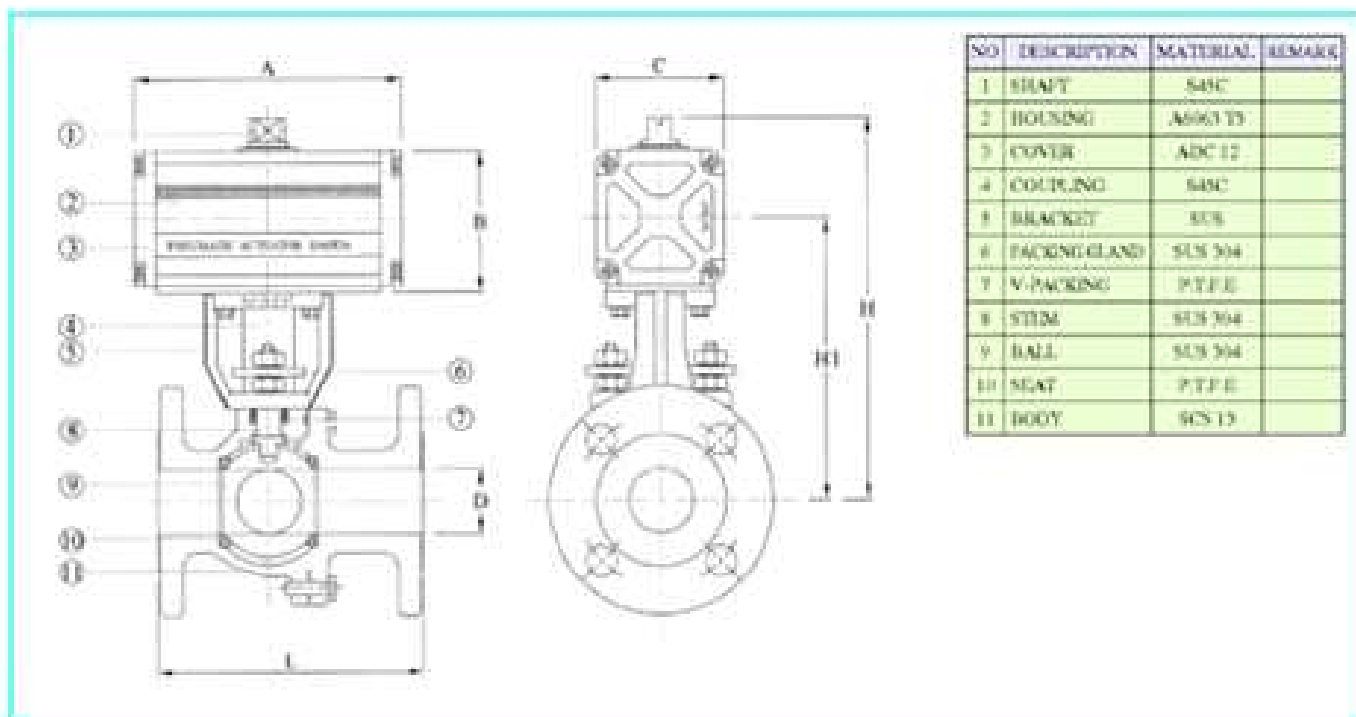
VALVE SIZE		ACTUATOR	D	A	B	C	L	H1	H
inch	mm								
1/2"	15A	SJ-50DA	12.7	122	67	62	80	72.5	124.5
3/8"	20A	SJ-50DA	15	122	67	62	87.5	78	130
1"	25A	SJ-50DA	20	122	67	62	100	86.5	138.5
1 1/4"	32A	SJ-65DA	25	166	86	80	123	102.5	163.5
1 1/2"	40A	SJ-65DA	32	166	86	80	142.2	107.5	168.5
2"	50A	SJ-80DA	40	230	104	100	170.6	129.5	202



# DOUBLE ACTING FLANGE BALL VALVE JIS 10K/20K, ANSI 150LB/300LB



VALVE		15A-200A	
END CONNECTION		JIS/ANSI	
TEMPERATURE		80°C	180°C
FIELD OF USE		W.A.O.G	STEAM
ACTUATOR PRESS		4-7BAR	
TYPE		RACK & PINION	
MATERIALS	BODY	SCS13/SCS14	
	SEAT	PTFE/CARBON TEFLON	
	BALL	SUS 304/SUS 316	

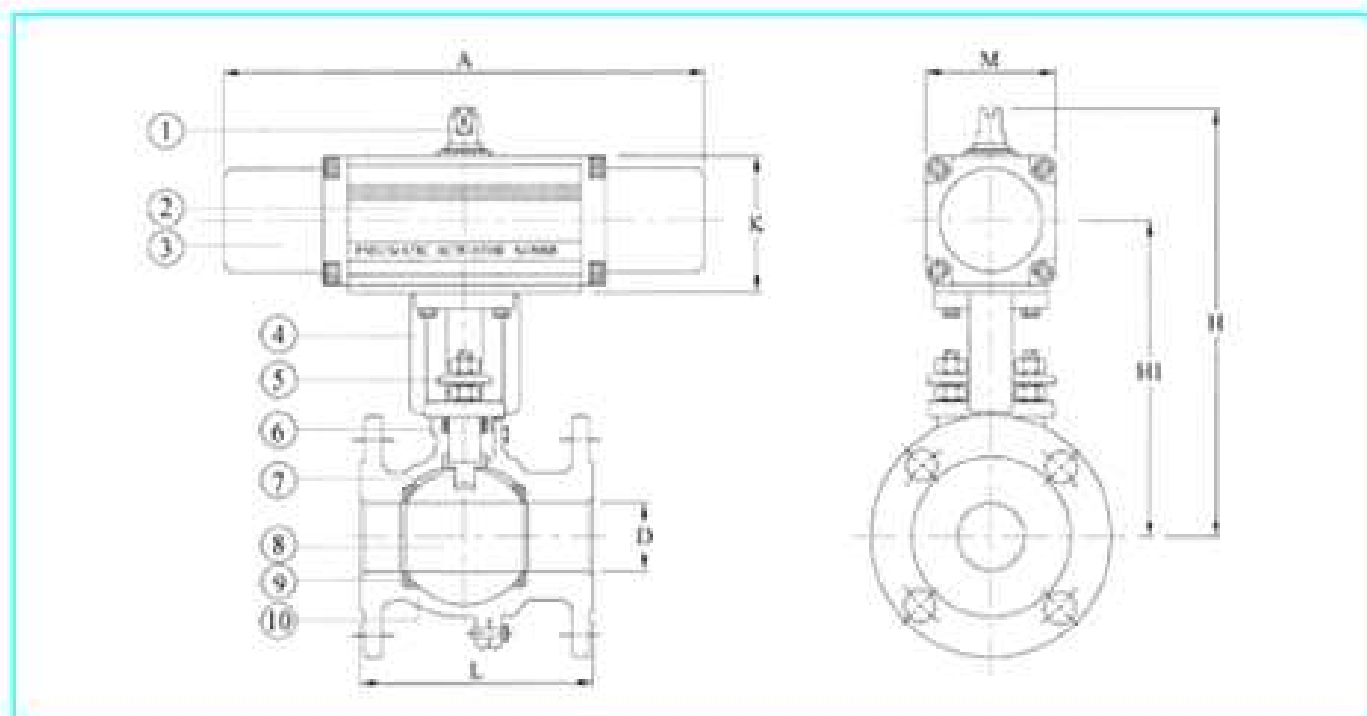


## DIMENSION

UNIT : mm

VALVE SIZE	ACTUATOR	A	B	C	D	L(10k)	L(20k)	H1	H	
1/2"	15A	SJ-50DA	122	67	62	15	108	140	138	190
3/4"	20A	SJ-50DA	122	67	62	20	117	152	143	195
1"	25A	SJ-50DA	122	67	62	25	127	165	149	201
1 1/4"	32A	SJ-65DA	166	86	80	32	140	178	172	233
1 1/2"	40A	SJ-65DA	166	86	80	40	165	190	184	245
2"	50A	SJ-65DA	166	86	80	50	178	216	195	256
2 1/2"	65A	SJ-80DA	230	108	100	65	190	241	218	290
3"	80A	SJ-80DA	230	108	100	80	203	283	240	312
4"	100A	SJ-100DA	290	129	120	100	229	305	265	346

# SPRING RETURN FLANGE BALL VALVE JIS 10K/20K, ANSI 150LB/300LB



## DIMENSION

UNIT : mm

VALVE SIZE		ACTUATOR	L	A	K	M	D	H1	H
inch	mm								
1/2"	15A	SJ-50SR	108	220	67	62	15	138	190
3/4"	20A	SJ-50SR	117	220	67	62	20	143	195
1"	25A	SJ-50SR	127	220	67	62	25	149	201
1 1/4"	32A	SJ-65SR	140	250	86	80	32	172	233
1 1/2"	40A	SJ-65SR	165	250	86	80	40	184	245
2"	50A	SJ-80SR	178	390	108	100	50	207	279.5
2 1/2"	65A	SJ-80SR	190	390	108	100	65	218	290
3"	80A	SJ-100SR	203	432	124	120	80	248	330

## ACTUATOR FEATURE

Rotation angle : 90°

Temperature from 0°C to +80°C : from -20°C to +80°C  
with dry air only

Air supply : 5.6 bar; maximum working supply 8.4 bar

Operating media : dry filtered air, not necessary lubricated.

In case of lubricated air, either non detergent oil or NBR compatible oil must be used.

## VALVE FEATURE

Flanges as per : JIS B 2210-JIS B 2002

(ANSI B 16.5 and ANSI B 16.10 available on request)

Max. temperature : from -20°C to +120°C

(-20°C to +250°C on request)

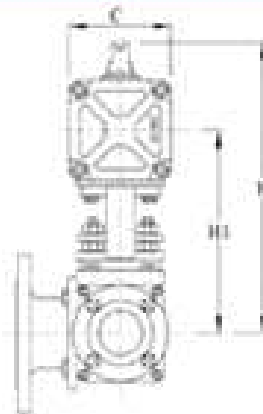
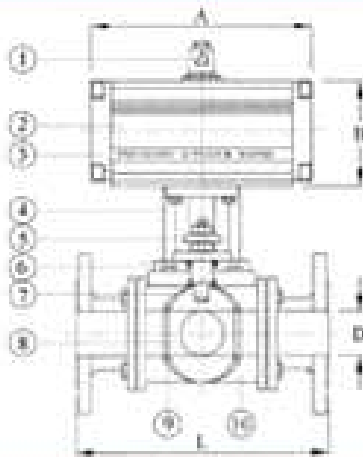
Working pressure : 10K/20K on request.

Fluid : air, water, gas, petroliferous and petrochemical products-  
aggressive media

For further information, please contact our technical offices.

NO	DESCRIPTION	MATERIAL	REMARK
1	SHAFT	S45C	CR 도금
2	HOUSING	A6063	T5
3	SPRING TUBE	AL ALLOY	
4	BRACKET	AL ALLOY	
5	PACKING GLAND	SUS 304	
6	V-PACKING	P.T.F.E	
7	STEM	SUS 304	
8	BALL	SUS 304	
9	SEAT	P.T.F.E	
10	VALVE BODY	SCS 13	

# FLANGE BALL VALVE 3WAY(L or T PORT)



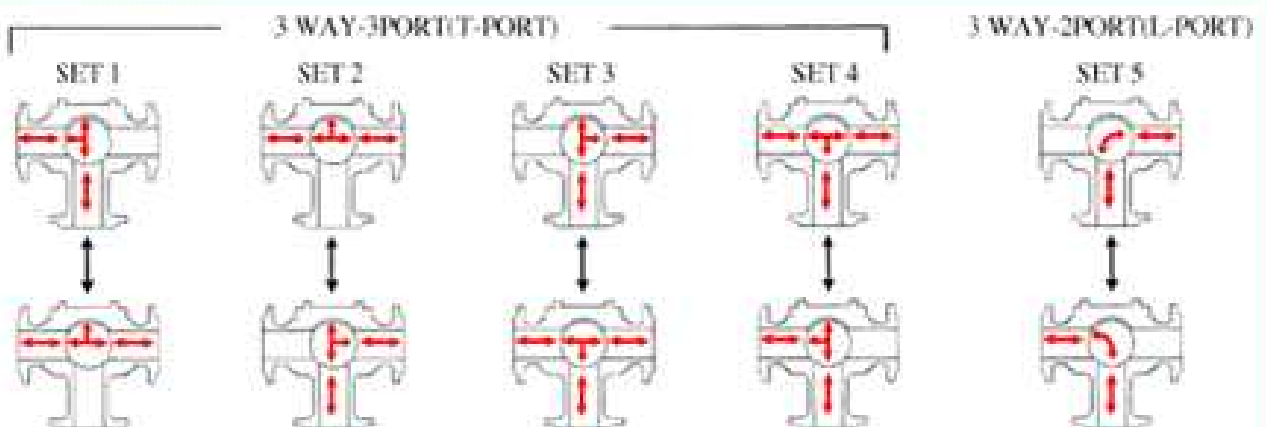
NO	DESCRIPTION	MATERIAL	REMARK
1	SHAFT	S40C	CrEi
2	HOUSING	A6063	T5
3	COVER	A6063	T5
4	BRACKET	A6063	T5
5	PACKING GLAND	SUS 304	
6	V-PACKING	PTFE	
7	STEM	SUS 304	
8	BALL	SUS 304	
9	SEAT	PTFE	
10	VALVE BODY	SCS 13	

## DIMENSION

UNIT : mm

VALVE SIZE		ACTUATOR	A	B	C	D	L	H1	H
inch	mm								
1/2"	15A	SJ-65DA	166	86	80	15	160	1170	132
3/4"	20A	SJ-65DA	166	86	80	20	160	170	231
1"	25A	SJ-65DA	166	86	80	25	200	173.5	234.5
1 1/4"	32A	SJ-80DA	200	108	100	32	240	191.5	252.5
1 1/2"	40A	SJ-80DA	200	108	100	40	240	203.5	276
2"	50A	SJ-80DA	200	108	100	50	260	211.5	284
2 1/2"	65A	SJ-100DA	280	129	120	65	320	231.5	302
3"	80A	SJ-100DA	280	129	120	80	360	260	340.5

## DIRECTION OF FLOW



## FEATURE

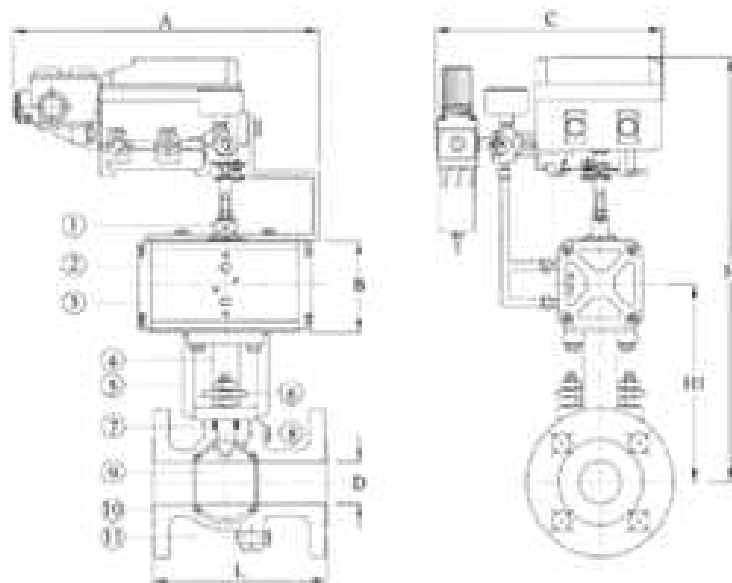
- TYPE : GENERAL PURPOSE FLANGED 3WAY BALL VALVE
- RATING & CONNECTION : 10K/20K(150LB/300LB) FLANGE
- TEMPERATURE : -15°C - 120°C (PTFE VIRGIN) / -15°C - 230°C (GRAPHITE)
- ACTUATOR PRESSURE : 4-7kg/cm<sup>2</sup>
- MATERIAL : ① BODY-SCPH2(A216, WCB)/SCS13(A351Gr, CF8)/SCS14  
 ② BALL-SUS304, SUS316, SUS316L  
 ③ STEM-304SS, 316SS  
 ④ SEAT-PTFE, RFE, CARBON, PEEK

# PNEUMATIC CONTROL VALVE



## IP-POSITIONER SPECIFICATIONS

ITEM	TYPE	Single Acting	Double Acting
Input signal		4-20mA DC	
Impedance		250 ± 150Ωm	
Supply Pressure		1.4-7kgf/cm <sup>2</sup> (20-100psi)	
Stroke		0-90°	
Air Connection		PT(NPT)1/4	
Gauge Connection		PT(NPT)1/8	
Gasbar		PT1/2G 1/2	
Explosion Proof		ExdIIbC/D6, ExdIIbT5	
Protection		IP66	
Ambient Temp		20°C - 30°C	
Linearity		± 1% F.S.	± 2% F.S.
Hysteresis		1% F.S.	
Sensitivity		± 0.2% F.S.	± 0.5% F.S.
Repeatability		± 0.5% F.S.	
Air Consumption		3LPM(Sup.=1.4kgf/cm <sup>2</sup> , 20psi)	
Flow Capacity		80LPM(Sup.=1.4kgf/cm <sup>2</sup> , 20psi)	
Material		Aluminium Diecasting	
Weight		2.9kg(6.2lb)	



NO.	DESCRIPTION	MATERIAL	REMARK
1	SPINDLE	S45C	C-5.22
2	HOUSING	ADC12	T5
3	COVER	ADC12	
4	COUPLING	SUS 304	
5	BRACKET	AL ALLOY	
6	PACKING GLAND	SUS 304	
7	V-PACKING	PTFE	
8	STEM	SUS 304	
9	BALL	SUS 304	
10	BEAT	PTFE	
11	VALVE BODY	SCS 13	

## DIMENSION

UNIT : mm

VALVE SIZE		ACTUATOR	D	A	L	C	B	H1	H
1/2"	15A	SJ-65DA	15	292	108	216	86	162	374
3/4"	20A	SJ-65DA	20	292	117	216	86	166	378
1"	25A	SJ-65DA	25	292	127	216	86	171	383
1 1/4"	32A	SJ-65DA	32	292	140	216	86	184	396
1 1/2"	40A	SJ-65DA	40	292	155	216	86	186.5	399
2"	50A	SJ-65DA	50	292	178	216	86	195	407
2 1/2"	65A	SJ-80DA	65	292	190	216	108	218	441
3"	80A	SJ-80DA	80	292	203	216	108	240	463
4"	100A	SJ-100DA	100	292	229	216	124	263	496

# DOUBLE ACTING -FLANGE-SV-FR-LS

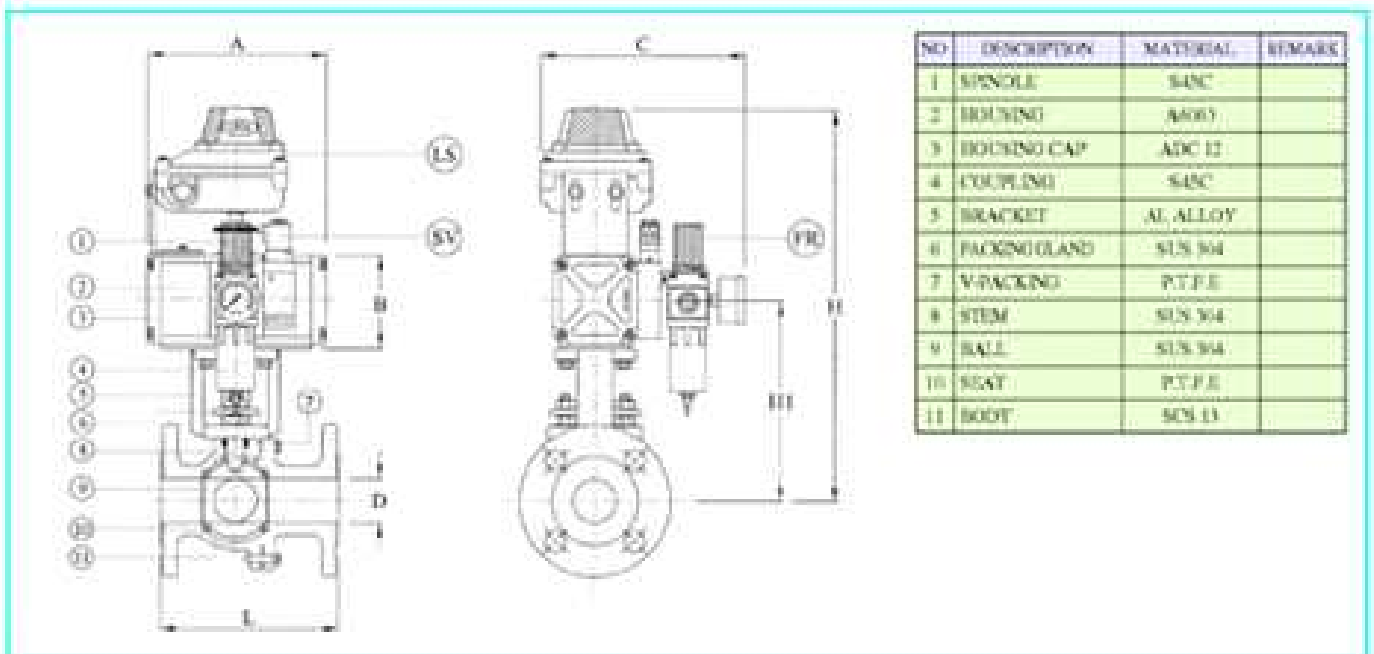


## ● ACCESSORIES

SV : SOLENOID VALVE

FR : AIR SET

LS : LIMIT SWITCH BOX



## DIMENSION

UNIT : mm

VALVE SIZE		ACTUATOR	A	B	C	D	L	H1	H2
inch	mm								
1/2"	10A	SJ-50DA	122	67	182	15	108	138	300
3/4"	20A	SJ-50DA	122	67	182	20	117	143	305
1"	25A	SJ-50DA	122	67	182	25	127	149	311
1 1/4"	32A	SJ-65DA	166	86	191	32	140	172	334
1 1/2"	40A	SJ-65DA	166	86	191	40	165	184	355
2"	50A	SJ-65DA	166	86	191	50	178	195	366
2 1/2"	65A	SJ-80DA	230	108	201	65	190	218	400
3"	80A	SJ-80DA	230	108	201	80	203	240	422
4"	100A	SJ-100DA	290	129	211	100	229	263	455

# FLANGE BALL VALVE 방폭 TYPE

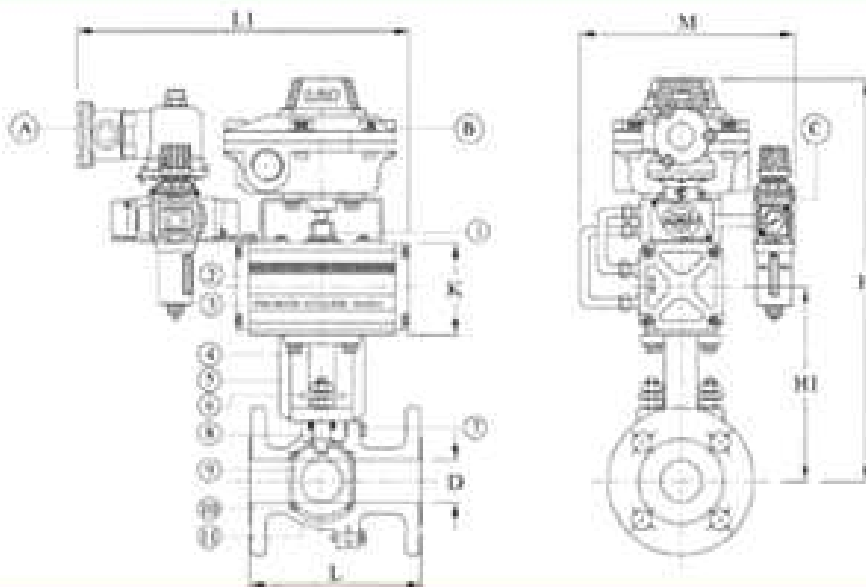


## ● ACCESSORIES

A : SOLENOID VALVE(d2G4)

B : LIMIT SWITCH BOX(d2G4)

C : AIR SET



NO	DESCRIPTION	MATERIAL
1	SHAFT	S45C
2	HOUSING	A6063T5
3	HOUSING CAP	ADC 12
4	COUPLING	S45C
5	BRACKET	AL ALLOY
6	PACKING GLAND	SUS 304
7	V-PACKING	P.T.F.E
8	STEM	SUS 304
9	BALL	SUS 304
10	SEAT	P.T.F.E
11	BODY	SUS 13

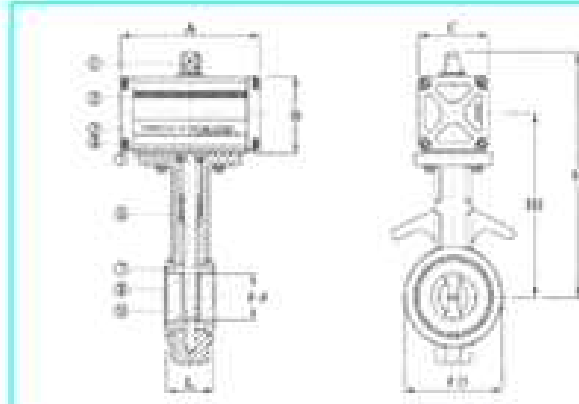
## DIMENSION

UNIT : mm

VALVE SIZE		ACTUATOR	L1	K	L	D	M	H1	H
inch	mm								
1/2"	10A	SJ-50DA	300	67	108	15	191.5	138	327
3/4"	20A	SJ-50DA	300	67	117	20	191.5	143	332
1"	25A	SJ-50DA	300	67	127	25	191.5	149	338
1 1/4"	32A	SJ-65DA	318	86	140	32	191.5	172	361
1 1/2"	40A	SJ-65DA	318	86	165	40	200	184	379
2"	50A	SJ-65DA	318	86	178	50	200	195	390
2 1/2"	65A	SJ-80DA	356	108	190	65	210	218	424
3"	80A	SJ-80DA	356	108	203	80	210	240	446
4"	100A	SJ-100DA	384	129	229	100	220	265	480

# BUTTERFLY VALVE(JIS 10K, 150LB)

## DOUBLE ACTING TYPE



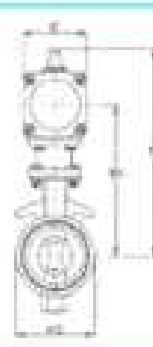
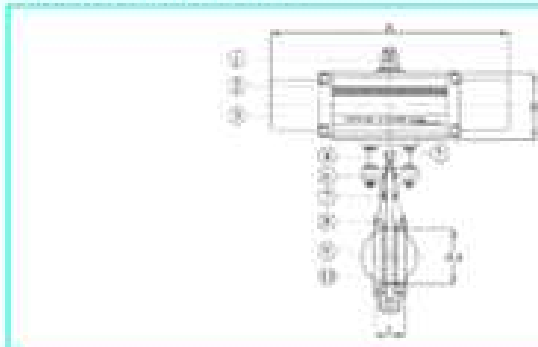
NO.	DESCRIPTION	MATERIAL
1	SEAT	NBR
2	BEARING	BRASS
3	STEM	304 SS
4	STEM	316 SS
5	BEARING	ACTAL
6	DISC	316
7	BODY	CF
8	BODY WELT	CFM
9	DISC	316 SS

## DIMENSION

UNIT : mm

VALVE SIZE		ACTUATOR	A	B	L	C	H1	H	Ød	ØD
1½"	40A	SJ-50DA	122	67	33	62	159	211	40	86
2"	50A	SJ-50DA	122	67	43	62	166	218	52	105
2½"	65A	SJ-65DA	166	86	46	80	185	246	65	114
3"	80A	SJ-65DA	166	86	46	80	195	256	80	129
4"	100A	SJ-65DA	166	86	52	80	219	291.5	100	155
5"	125A	SJ-80DA	230	108	56	100	234	306.5	125	180
6"	150A	SJ-80DA	230	108	56	100	246	318.5	150	207
8"	200A	SJ-100DA	290	129	60	120	305	387.5	198	260

## SPRING RETURN TYPE



NO.	DESCRIPTION	MATERIAL
1	SEAT	NBR
2	BEARING	BRASS
3	SPRING/STEM	304 SS
4	STEM	316 SS
5	STEM	316 SS
6	BEARING	ACTAL
7	DISC	316
8	BODY	CF
9	BODY WELT	CFM
10	DISC	316 SS

## DIMENSION

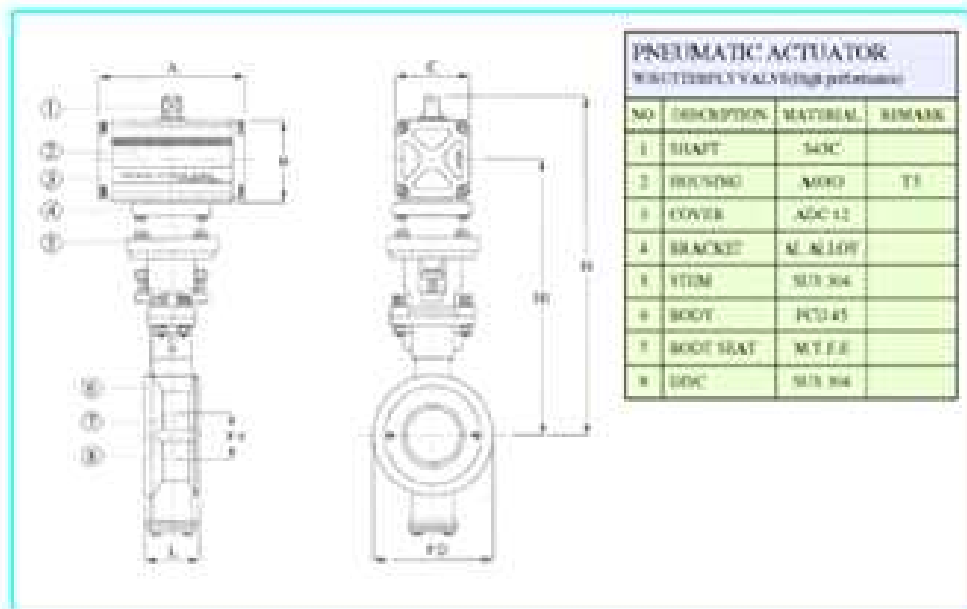
UNIT : mm

VALVE SIZE		ACTUATOR	A	B	L	C	H1	H	Ød	ØD
1½"	40A	SJ-50SR	220	67	41	62	159	211	40	86
2"	50A	SJ-50SR	220	67	43	62	166	218	52	102
2½"	65A	SJ-65SR	240	86	46	80	185	246	65	115
3"	80A	SJ-65SR	240	86	46	80	195	256	80	128
4"	100A	SJ-80SR	400	108	52	100	219	291.5	100	153

## SPECIFICATION

VALVE SIZE		40A-100A(1½"-16")
RATING & CONNECTION		10K(150LB)
APPLY TEMPERATURE		-10°C - 120°C
ACTUATOR PRESSURE		4-7BAR
STANDARD PRESSURE		DOUBLE ACTING : 4BAR      SPRING RETURN : 5BAR
MATERIALS	BODY	FC/CF/MS/316
	DISC	SUS 304 / SUS 316
	SEAT	NBR/EPDM/PTFE/METAL

# BUTTERFLY VALVE (High performance)



## DIMENSION

UNIT : mm

VALVE SIZE		ACTUATOR	A	B	L	C	H1	H	Ød	ØD
2"	50A	SJ-50DA	122	67	50	74	230	282	40	97
2½"	65A	SJ-65DA	166	86	54	92	245	306	55	115
3"	80A	SJ-65DA	166	86	56	80	258	319	70	125
4"	100A	SJ-80DA	230	108	64	112	286	358.5	94	150
5"	125A	SJ-80DA	230	108	64	112	294	366.5	119	174
6"	150A	SJ-100DA	290	129	64	132	334	416	144	210
8"	200A	SJ-100DA	290	129	68	132	364	446	195	264

## Specifications

Product range---40mm up to 1000mm

Pressure Temperature range

Metal seat type WMP 4.90Mpa(50kgf/cm<sup>2</sup>) WMP 450deg. Cels.  
Teflon seat type WMP 1.96Mpa(20kgf/cm<sup>2</sup>) WMP 450deg. Cels.

Flange connections

ISO PN6, 10, 20 AND 25  
ANSI B16-1 CL.  
BS4504 PN6, PN10, PN16  
AS2129 TABLE D and E

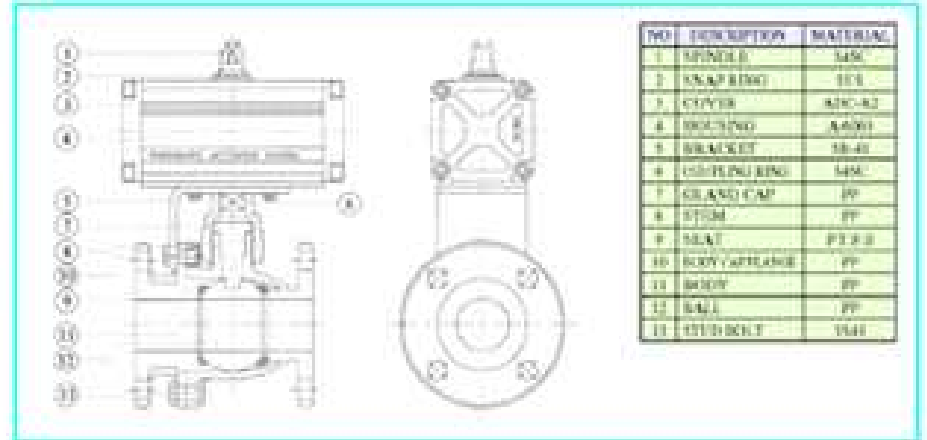
MSS SP 44 CL. 150, 300  
ANSI B16-5 CL. 150, 300  
BS 10 Table D and E  
JIS B2210 5K, 10K, 16K and 20K

Face to Face dimensions--- in accordance with ISO 5752, BS 5155, MSS SP67 and API609

Actuator connection --- valves can be fitted with any 1/4 turn actuator equipped with a mounting plate meeting the standard ISO5211



# PLASTIC BALL VALVE



## 사용온도 및 내식성범위

범 위	사용온도범위									내식성범위								
	-40	-20	-10	60	85	90	100	105	120 ~ 140	약산	강산	산화성산	혼산	약알카리	강알카리	유기용제	염류기산용제	부식성가스
PVC	X	X	△	O	X	X	X	X	X	O	O	O	O	O	O	X	O	O
PP	X	O	O	O	O	O	△	X	X	O	O	△	△	O	O	△	O	O
PPG	X	O	O	O	O	O	O	O	O	O	O	O	O	O	O	O	O	O
C-PVC	X	O	O	O	O	O	X	X	X	O	O	O	O	O	O	O	O	O
PVDF	O	O	O	O	O	O	O	O	O	O	O	O	O	O	O	O	O	O

## PACKING

범 위	사용온도범위									내식성범위								
	-40	-20	-10	60	85	90	100	105	120 ~ 140	약산	강산	산화성산	혼산	약알카리	강알카리	유기용제	염류기산용제	부식성가스
천연고무	△	O	O	△						O	X	X	X	O	△	X	X	X
합성고무	NBR	△	O	O	O	X				O	△	X	△	O	O	X	△	△
	EPDM	O	O	O	O	O	△			O	△	△	O	O	O	X	△	△
P.T.F.E	O	O	O	O	O	O	O	O	O	O	O	O	O	O	O	O	O	O

## 역학적 성질의 비교

특성	소재	U-PVC	C-PVC	PP	PPG	PVDF	실험방법
	인장강도	kg/cm <sup>2</sup>	500-550	600-650	300-350	700-750	
lb/in <sup>2</sup>		7,100-7,820	5,530-9,240	4,570-4,980	9,960-10,670	7,110-8,530	
충격강도	kg/cm <sup>2</sup>	3-5	3-5	4-5	6-8	10-20	D256
열팽창계수(10 <sup>-5</sup> /°C)		6-8	6-8	11-12	4-5	11-12	D696
최고적용온도(°C (°F))		60(140)	90(195)	90(195)	100(210)	120(250)	ASSTANDARD

# COMPACT & POWERFUL ELECTRIC ACTUATOR

SM - 5, 10, 25, 50, 100, 200

SMC - 5, 10, 25, 50, 100, 200(Electric Control)

## Rotary Type



**Ball Valve**  
**15A~300A**



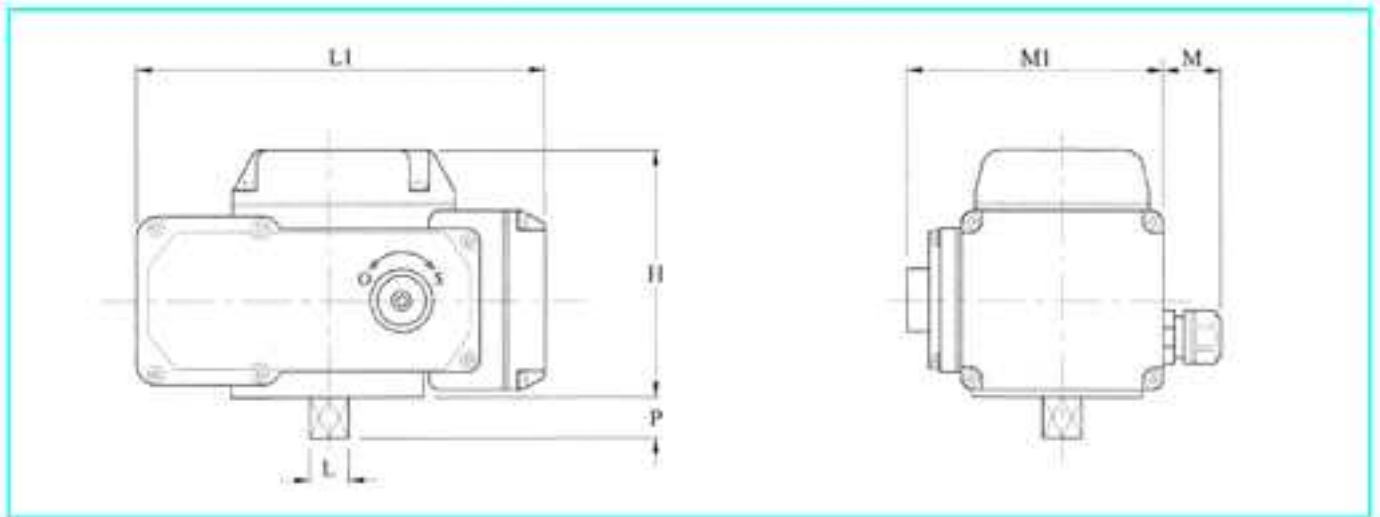
**Butterfly Valve**  
**40A~500A**

## Feature

Compact and Elegant / High Resolution  
Maintenance - Free / Continuance Operation

# ON-OFF SM-SERIES

## ROTARY TYPE



### DIMENSION

UNIT: mm

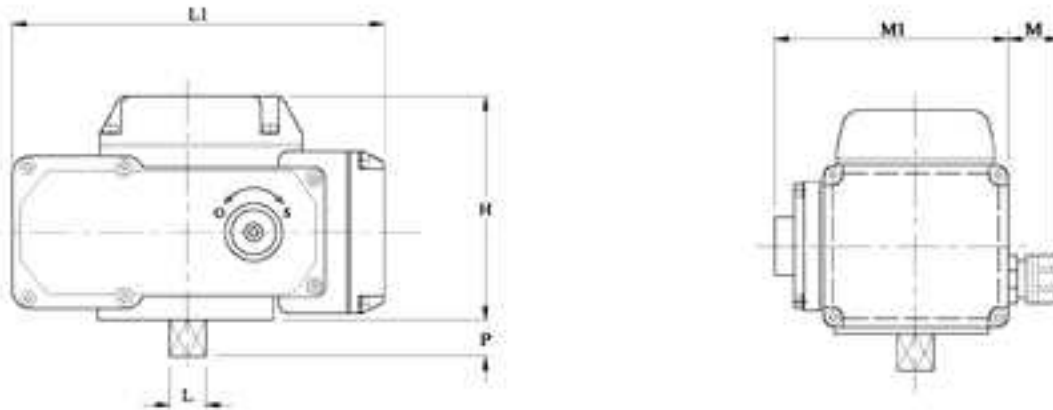
MODEL	L1	H	P	L	M1	M
SM-5	158	115	12	15	101	29
SM-10	208	125	16	20	120	29
SM-25, 50	256	141	26	28	156	29
SM-100, 200	280	170	30	39	156	29

### SPECIFICATION

MODEL	SM-5	SM-10	SM-25	SM-50	SM-100	SM-200
출력 축 토 오 크	5kgf.m	10kgf.m	25kgf.m	50kgf.m	100kgf.m	200kgf.m
전 원	AC110V,220V DC24V,12V 단상 50/60Hz					
동 작 범 위	0~90°					
동 작 시 간	20/16Sec	30/25Sec		50/416Sec		100/83Sec
가 동 모 터	10W	23W	45W	90W	100W	100W
보 호 장 치	써멀 프로텍터 내장(자동복귀형)					
주 위 온 도	-20°C ~ +60°C					
절 연 저 항	100MΩ(500V.DC)					
내 전 압	1,500VAC/1min					
수 동 조 작	크랭크 핸들부착					
방 수 방 적 성	IP-65					
접 속 자 제	ANY ANGLE					
본 체 재 질	ALUMINIUM DIECASTING					
중 량	2.6kg	3.7kg	6.7kg	7.3kg	11.2kg	11.2kg
STOPPER	ELE.MEC					

# MODULATING SMC-SERIES

## ROTARY TYPE



### DIMENSION

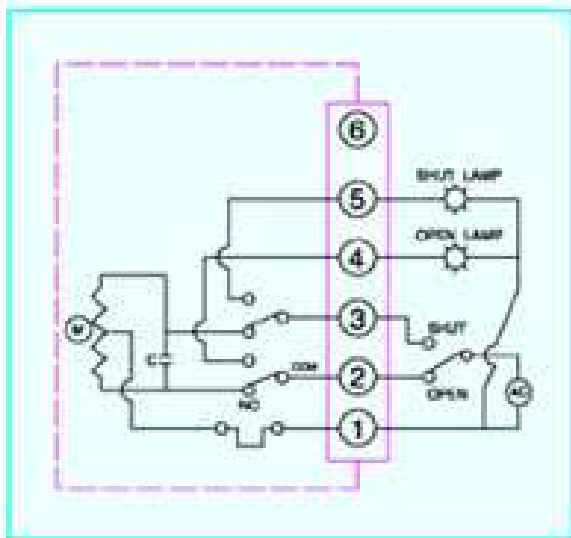
UNIT:mm

MODEL	L1	H	P	L	M1	M
SMC-5	178	115	12	15	101	29
SMC-10	208	125	16	20	120	29
SMC-25, 50	256	141	26	28	156	29
SMC-100, 200	280	170	30	39	156	29

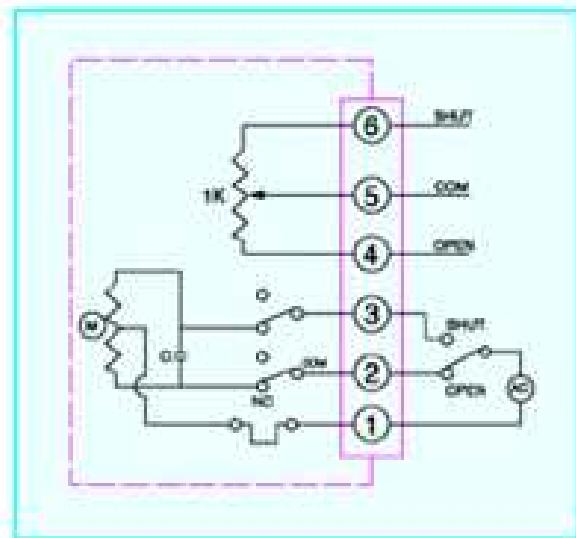
### TYPE:SMC-5, 10, 25, 50, 100, 200

MODEL	SMC-5	SMC-10	SMC-25	SMC-50	SMC-100	SMC-200
출력 속도 오 크	5kgf.m	10kgf.m	25kgf.m	50kgf.m	100kgf.m	200kgf.m
전 원	AC110V,220V DC24V,12V 단상 50/60Hz					
동 작 범 위	0~90°					
동 작 시 간	20/16Sec	30/25Sec			50/416Sec	100/83Sec
가 동 모 터	10W	23W	45W	90W	100W	100W
보 호 장 치	써멀 프로텍터 내장(자동복귀형)					
SIGNAL IN	4~20mA DC					
SIGNAL OUT	4~20mA DC					
내 전 압	1,500VAC/1min					
수 동 조 작	크랭크 핸들부착					
방 수 방 적 성	IP-65					
접 속 자 제	ANY ANGLE					
본 체 재 질	ALUMINIUM DIECASTING					
중 량	2.8kg	3.9kg	6.9kg	7.5kg	11.5kg	11.5kg
STOPPER	ELE.MEC					

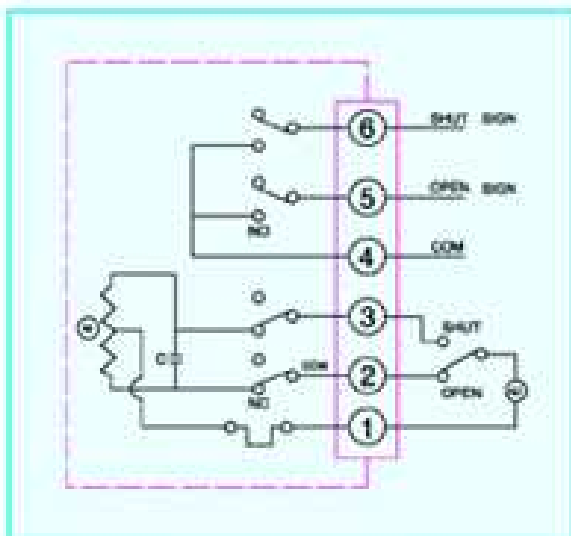
# WIRING DIAGRAM



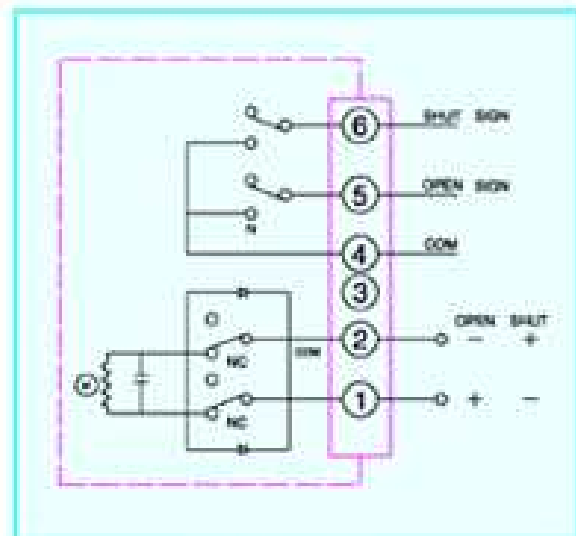
SM-OO TYPE(STANDARD)



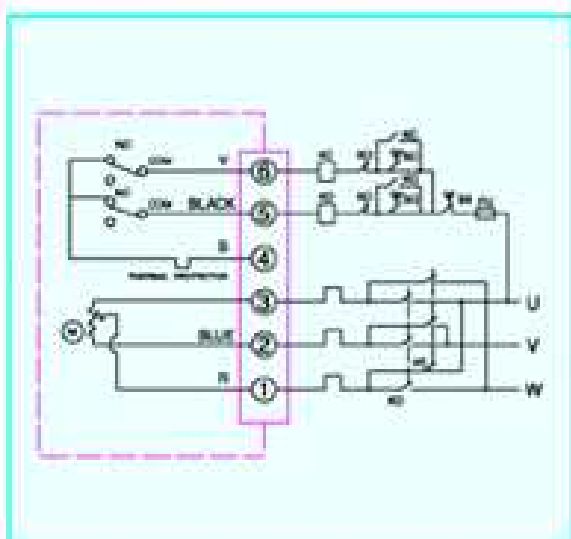
SM-OOR TYPE



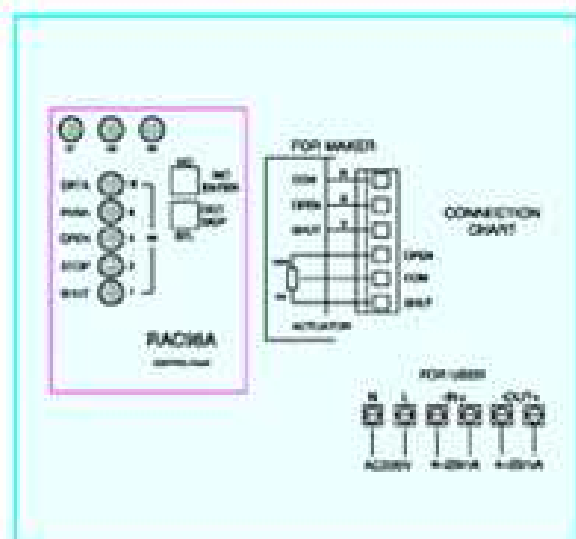
SM-OOS TYPE



DC TYPE



AC 380 TYPE



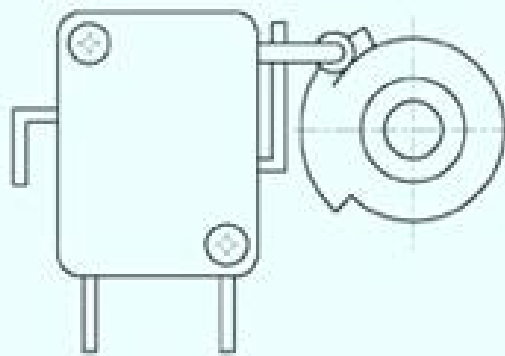
SMC-OO TYPE(CONTROL PACK)



# SETTING



## LIMIT SWITCH 조정

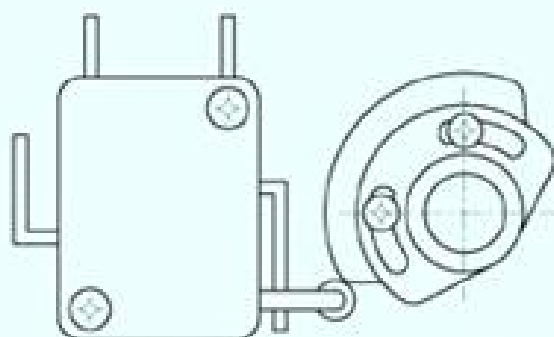


SM-5 . SM-10

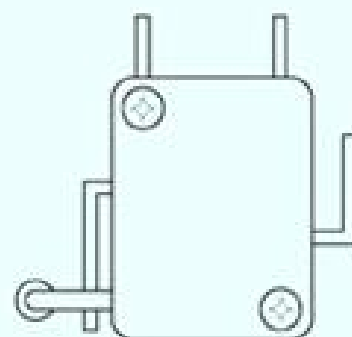
### LIMITS SWITCH의 조정

Limit dock상 고정나사를 풀고나서 Limit dock를 조금씩 움직이면 Limit dock의 각도를 조절할 수 있으며 이로써 electric stopper의 on/off 각도를 조절할 수 있다.

마지막으로 Limit dock 상 고정나사를 돌려서 고정시킨다.



SM-25 . SM-50 . SM-100 . SM-200



# ACTUATOR TYPE VALVE 적용

VALVE 유동압력:10kg/cm<sup>2</sup>

MODEL	FLANGE BALL VALVE	BUTTERFLY VALVE	3-WAY BALL VALVE
SM-05	15F, 20F, 25F, 32F	40BF, 50BF, 65F	25F
SM-10	40F, 50F, 65F	80BF, 100BF, 125BF	32F, 40F
SM-25	80F, 100F,	150BF, 200BF,	50F, 65F
SM-50	100F, 125F,	250BF, 300BF,	80F, 100F
SM-100	150F, 200F,	300BF, 400BF,	25F, 150F
SM-200	250F, 300F,	500BF, 600BF,	200F

# PNEUMATIC ACTUATOR

**SJ** SERIES

# ELECTRIC ACTUATOR VALVE

**SM** SERIES





## 세진콘텍

주 소 : 서울특별시 구로구 구로동 615-3  
STX W TOWER 813호

이메일: [sejin@sejincontac.co.kr](mailto:sejin@sejincontac.co.kr)

전 화 : 02-2266-8333

팩 스 : 02-2266-8331