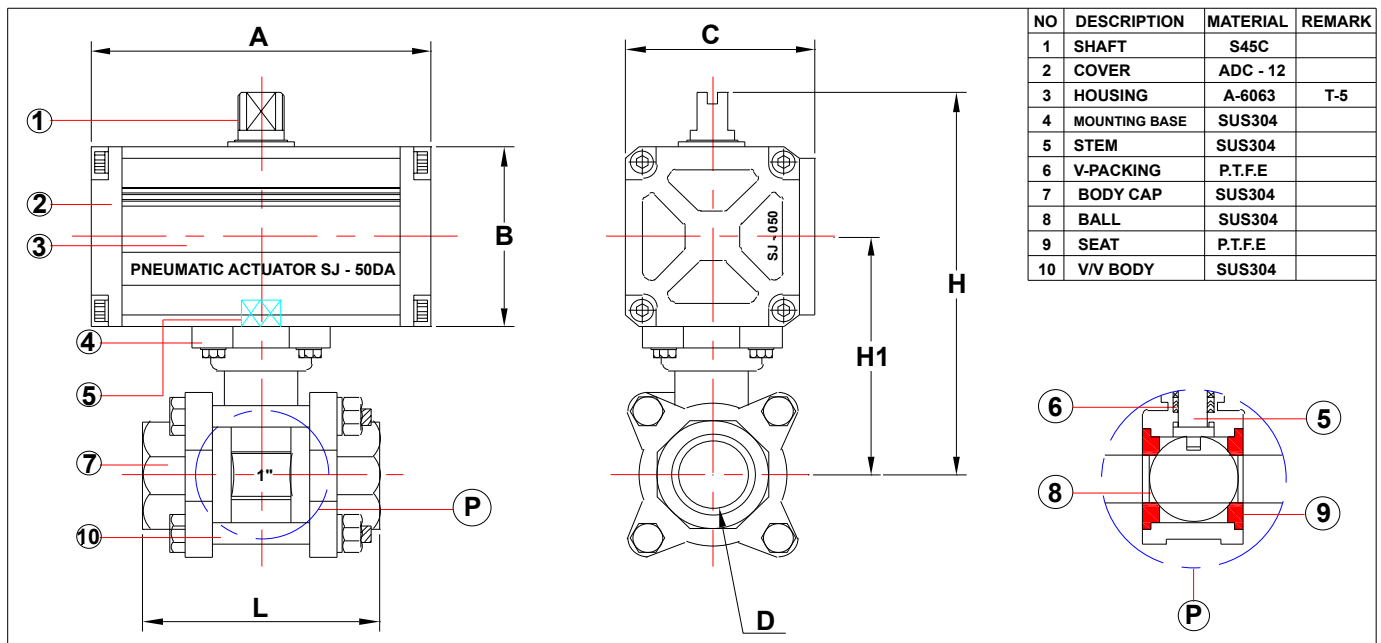


SCREW TYPE 3 PIECE BALL VALVE (FULL BORE)



- ACTUATOR : DOUBLE ACTING
- BODY PRESS : 10kgf/cm²
- TEMP : MAX 100 °C(P.T.F.E)
MAX 180 °C(CARBON TEFLON)
- AIR PRESSURE : 4~7kgf/cm²



DIMENSION

UNIT : mm

VALVE SIZE		ACTUATOR	A	B	C	D	L	H1	H
inch	mm								
1/4"	8	SJ-40DA	99	52	58	8	60	62	100
3/8"	10	SJ-40DA	99	52	58	10	60	62	100
1/2"	15	SJ-50DA	122	67	68	15	72	75.5	129
3/4"	20	SJ-50DA	122	67	68	20	80	81.5	135
1"	25	SJ-50DA	122	67	68	25	85	88.5	142
1-1/4"	32	SJ-65DA	166	86	80	32	105	105	166
1-1/2"	40	SJ-65DA	166	86	80	40	113	115	176
2"	50	SJ-65DA	166	86	80	50	132	130	191