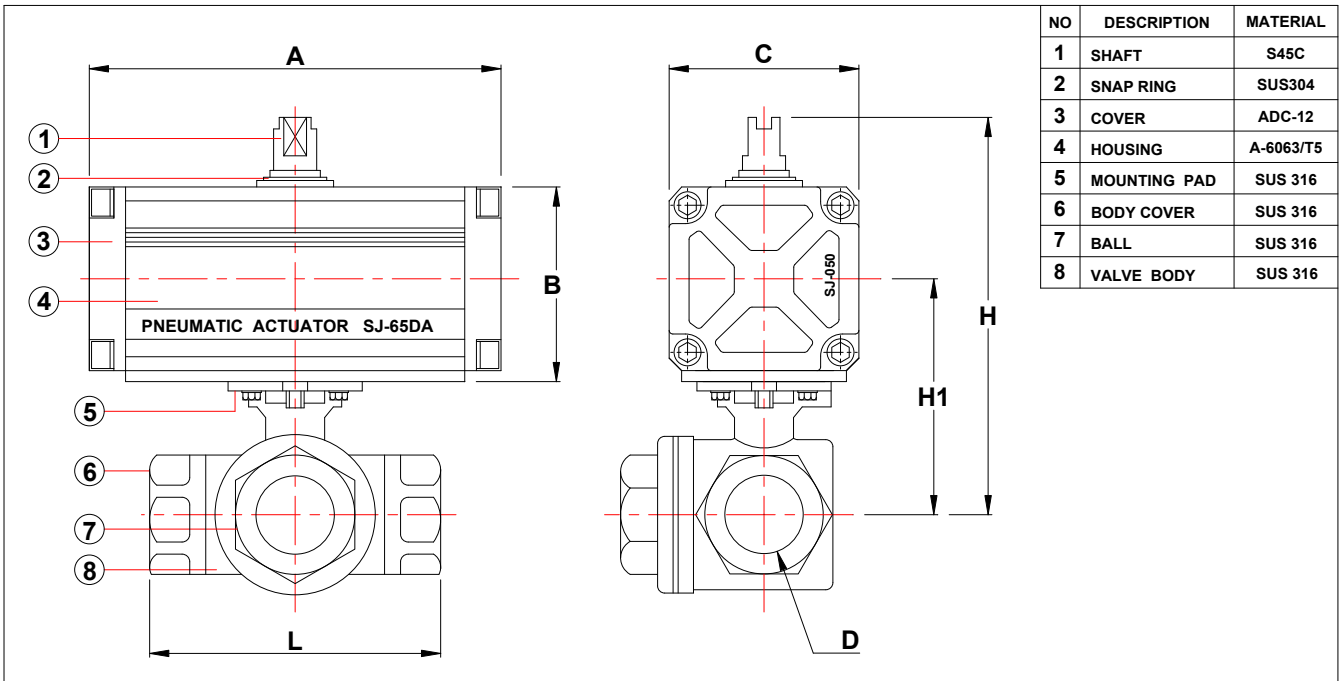


# SCREW TYPE 3WAY BALL VALVE



## DIRECTION OF FLOW

PORT TYPE	DIRECTION OF FLOW			
	1	2	3	4
L				
T				



## DIMENSION

UNIT:mm

VALVE SIZE		ACTUATOR	D	A	B	C	L	H1	H
inch	mm								
3/8"	10	SJ-50DA	12.7	122	67	68	80	62.5	100.5
1/2"	15	SJ-50DA	12.7	122	67	68	80	72.5	124.5
3/4"	20	SJ-50DA	15	122	67	68	87.5	78	130
1"	25	SJ-50DA	20	122	67	68	100	86.5	138.5
1-1/4"	32	SJ-65DA	25	166	86	80	123	102.5	163.5
1-1/2"	40	SJ-65DA	32	166	86	80	142.2	107.5	168.5
2"	50	SJ-80DA	40	230	104	100	170.6	129.5	202