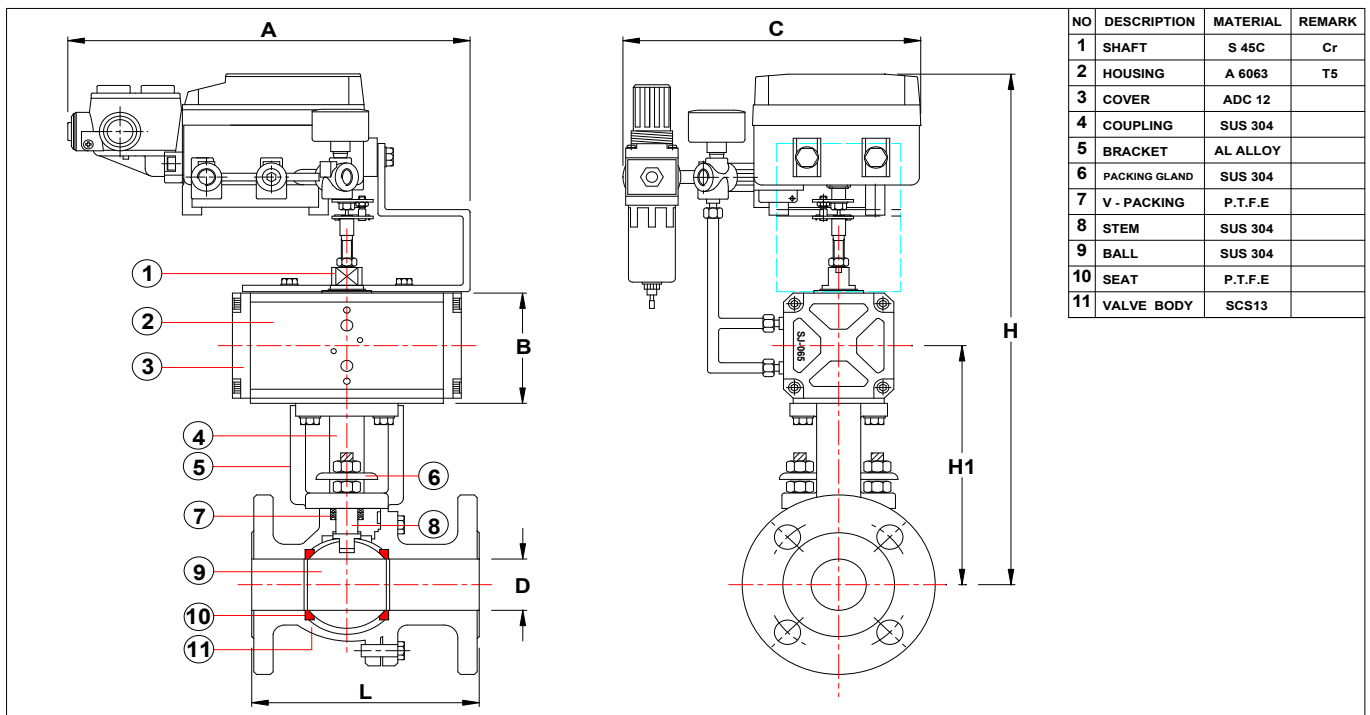


# PNEUMATIC CONTROL VALVE



## IP-POSITIONER SPECIFICATIONS

ITEM	TYPE	Single Acting	Double Acting
	Input signal		4~20mA DC
Impedance		250±15 Ohm	
Supply Pressure		1.4~7kgf/cm <sup>2</sup> (20~100 psi)	
Stroke		0~90°	
Air Connection		PT(NPT) 1/4	
Gauge Connection		PT(NPT) 1/8	
Conduit		PF 1/2(G 1/2)	
Explosion Proof		ExdmlIB(C)T6, ExiallBT6	
Protection		IP66	
Ambient Temp		-20~70	
Linearity		± 1% F.S.	± 2% F.S.
Hysteresis		1% F.S.	
Sensitivity		± 0.2% F.S.	± 0.5% F.S.
Repeatability		±0.5% F.S.	
Air Consumption		3LPM(Sup.=1.4kgf/cm <sup>2</sup> , 20psi)	
Flow Capacity		80LPM(Sup.=1.4kgf/cm <sup>2</sup> , 20psi)	
Material		Aluminum Diecasting	
Weight		2.8kg(6.2 lb)	



## DIMENSION

UNIT:mm

VALVE SIZE	ACTUATOR	D	A	L	C	B	H1	H	
1/2"	15A	SJ-65DA	15	292	108	216	86	162	374
3/4"	20A	SJ-65DA	20	292	117	216	86	166	378
1"	25A	SJ-65DA	25	292	127	216	86	171	383
1-1/4"	32A	SJ-65DA	32	292	140	216	86	184	396
1-1/2"	40A	SJ-65DA	40	292	165	216	86	186.5	399
2"	50A	SJ-65DA	50	292	178	216	86	195	407
2-1/2"	65A	SJ-80DA	65	292	190	216	108	218	441
3"	80A	SJ-80DA	80	292	203	216	108	240	463
4"	100A	SJ-100DA	100	292	229	216	129	263	496