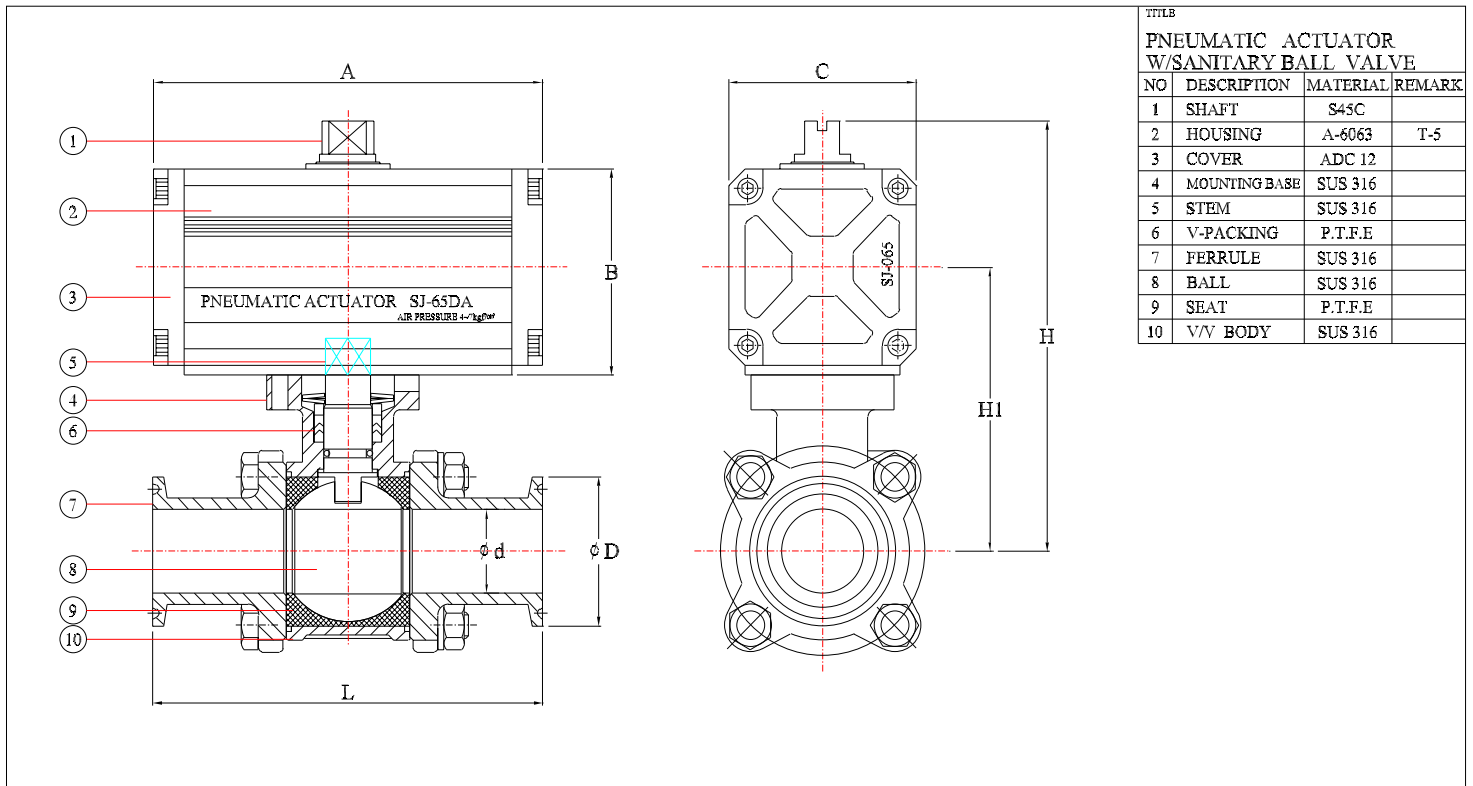


# SANITARY BALL VALVE



## DIMENSION

UNIT:mm

VALVE SIZE		ISO 5211	ACTUATOR	A	B	C	L	ø d	ø D	H1	H
inch	mm										
1/2"	15	F03/F04	SJ-50DA	122	67	68	110	9.5	25.4	73	126.5
3/4"	20	F03/F04	SJ-50DA	122	67	68	119	15.9	25.4	75	128.5
1"	25	F04/F05	SJ-65DA	166	84	80	124	22.2	50.4	97.5	158.5
1-1/2"	40	F05/F07	SJ-65DA	166	84	80	141	35	50.4	113.5	174.5
2"	50	F05/F07	SJ-80DA	230	108	100	162	47.6	63.9	134	206.5
2-1/2"	65	F07/F10	SJ-80DA	230	108	100	197	60.3	77.5	148	220.5