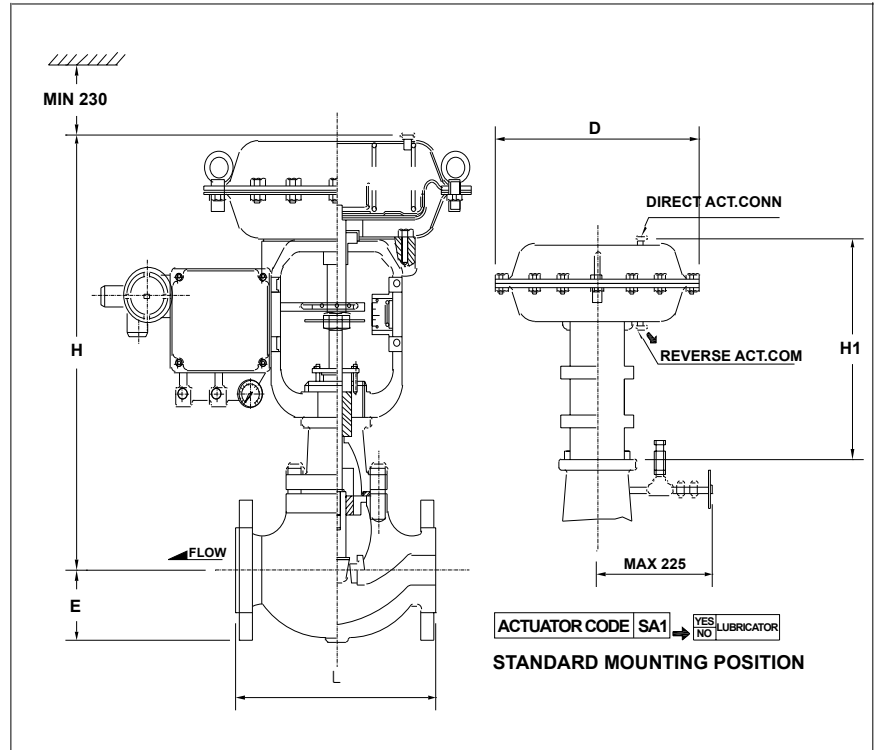


CONTROL GLOBE VALVE



Valve Size	15A ~100A
Actuator Type	Diaphragm
Actuator Action	Direct Action(Air to close), Reverse Action(Air to open)
Operating Media	Compressed Dry air
In-Put Signal	4 ~ 20mA DC,
Operating Press	2.8kg/cm ²
Spring Range	0.8 ~ 2.4 kg/cm ²
Fluid Temp	17 °C ~ 230 °C
Connetion	JIS 10K RF, 20K, 40K, ANSI 150# RF, 300#, 600#
Body Material	SCPH2, SCPH21, SCPL1, SCS13, SCS14, SCS16
Leakage Allowance	Standard:ANSI Class II (0.5%), Optional:0.1%, Soft seal:ANSI Class VI
Option	Soft Touch, Bellow seal, Fin Bonnet, Multy step cage, Hand wheel top, Extention
Accessory	Solenoid Valve, Air filter Regulator, E/P positioner

DIMENSION

UNIT:mm

MODLE	SIZE		L	H	E	H1	ΦD	LIFT
SCV-1000-15A	15A	1/2"	184	420	40	282	220	15
SCV-1000-20A	20A	3/4"	184	420	50	282	220	
SCV-1000-25A	25A	1"	184	420	50	282	220	
SCV-1000-40A	40A	1-1/2"	222	478	70	343	265	25
SCV-1000-50A	50A	2"	254	478	78	343	265	
SCV-1000-65A	65A	2-1/2"	276	569	88	405	365	38
SCV-1000-80A	80A	3"	298	620	160	405	365	
SCV-1000-100A	100A	4"	352	620	180	405	365	