

# BUTTERFLY VALVE (JIS 10K, 150LB)

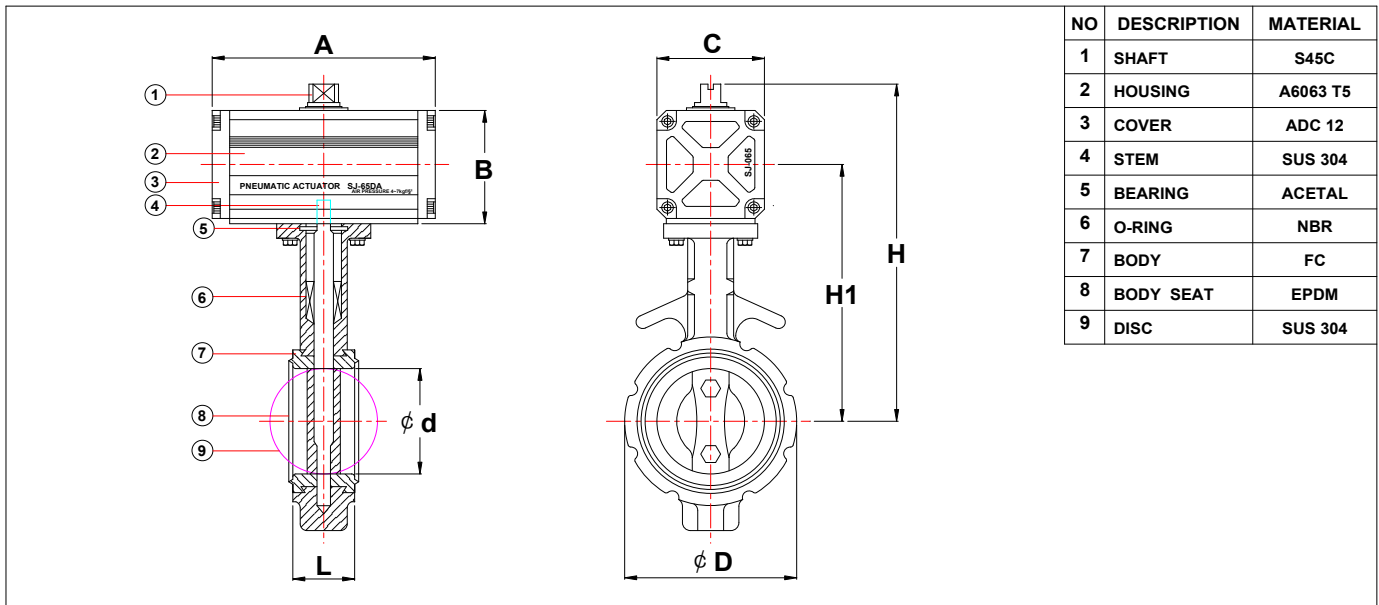


## ACCESSORIES

SOLENOID VALVE

LIMIT SWITCH BOX

AIR SET



### DIMENSION

UNIT:mm

VALVE SIZE		ACTUATOR	A	B	L	C	H1	H	φ d	φ D
1-1/2"	40A	SJ-50DA	122	67	33	68	159	211	40	86
2"	50A	SJ-50DA	122	67	43	68	166	218	52	105
2-1/2"	65A	SJ-65DA	166	86	46	80	185	246	65	114
3"	80A	SJ-65DA	166	86	46	80	195	256	80	129
4"	100A	SJ-65DA	166	86	52	80	219	291.5	100	155
5"	125A	SJ-80DA	230	108	56	100	234	306.5	125	180
6"	150A	SJ-80DA	230	108	56	100	246	318.5	150	207
8"	200A	SJ-100DA	290	129	60	120	305	387.5	198	260
10"	250A	SJ-100DA	290	129	68	120	352	434.5	248	328

### < SPECIFICATION >

VALVE SIZE		40A~400A(1-1/2"~16")
RATING & CONNECTION		10K(150LB)
APPLY TEMPERATURE		-10~80
ACTUATOR PRESSURE		4~7BAR
STANDARD PRESSURE		DOUBLE ACTING:4 BAR
MATERIALS	BODY	FC.FCD.SCS13.ALUMINIUM
	DISC	SUS304/SUS316
	SEAT	NBR.EPDM.PTFE.RTFE.MTFE.METAL